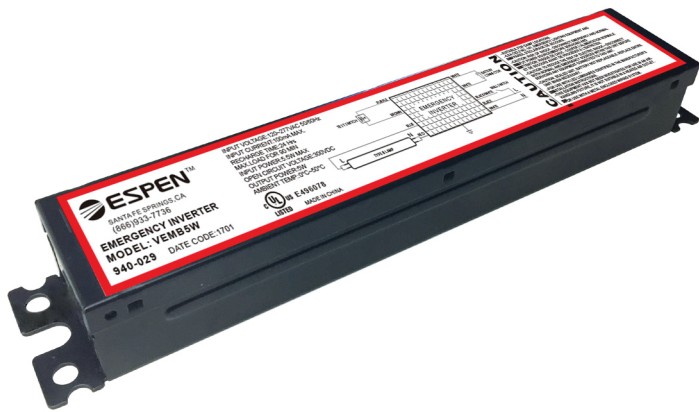


# Emergency Lighting Inverters

## 5W LED Emergency Micro Inverter



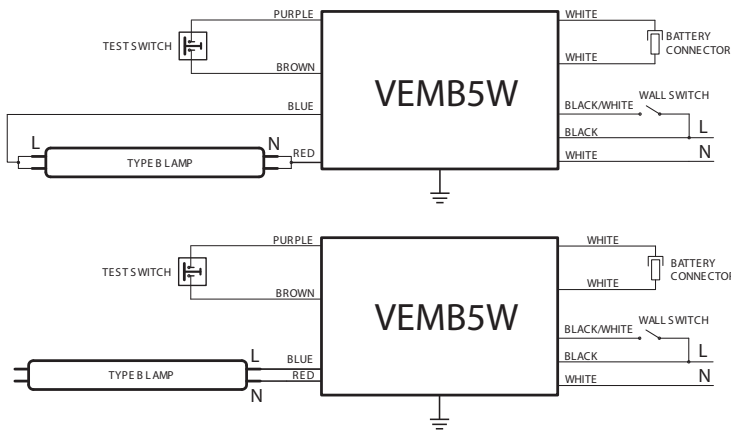
### DESCRIPTION

The Espen Technology VEMB5W Emergency Lighting Inverter works with Espen's LED Flex (Type B) LED tubes in emergency system. The VEMB5W provides a maximum load of 5 Watts. It allows the connected fixture(s) to be on, off, switched or dimmed without affecting emergency operation. Each unit consists of electronic circuitry; lithium-ion battery and charger enclosed in a steel case.

### OPERATION

Upon failure of normal power, the VEMB5W begins providing emergency power to the connected lighting load for a minimum of 90 minutes. When normal power is restored, the VEMB5W returns to charge mode automatically. The battery is fully charged in 24 hours.

### WIRING DIAGRAM



### SPECIFICATION

UL 924 Listed	Factory or Field Installation
Illumination Time	90 Minutes
AC Input Power Rating (Max.)	5W
Input Voltage	120 to 277 VAC, 50/60 Hz
AC Input Power Standby	1.8W
Constant Load Power	5W
Output Voltage	Open Circuit 300VDC
Test Switch	Single Pole (Momentary)
Battery	Lithium-Ion (850mAh, 14.8V)
Battery Charging Current	160 mA
Max. Recharge Time	24 Hours
Charging Indicator Light	LED
Operating Temperature	32° F to 122° F (0° C to 50° C)
Dimensions	9.5" x 1.3" x 1.2" (L,W,H)
Weight	1 lbs. (0.45 kg)
Warranty	5 years

### DIMENSION

